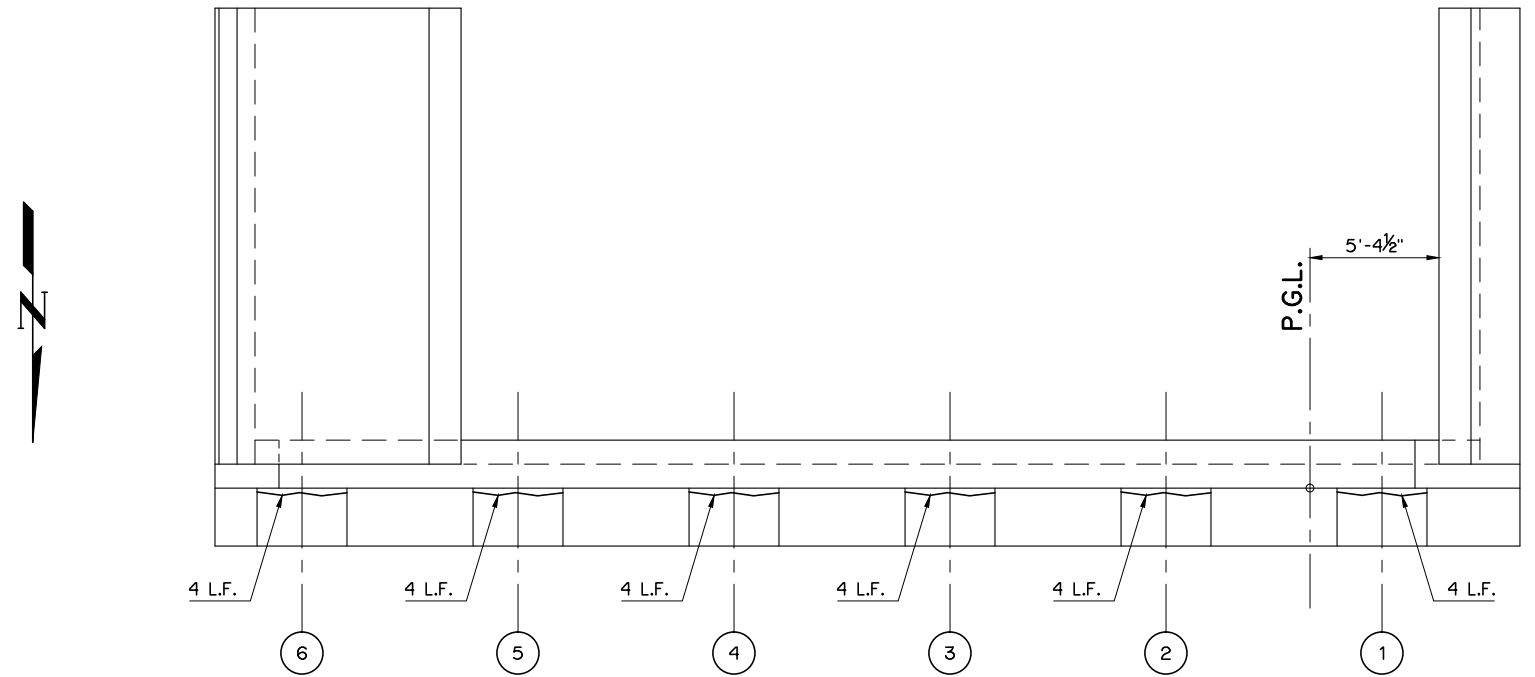
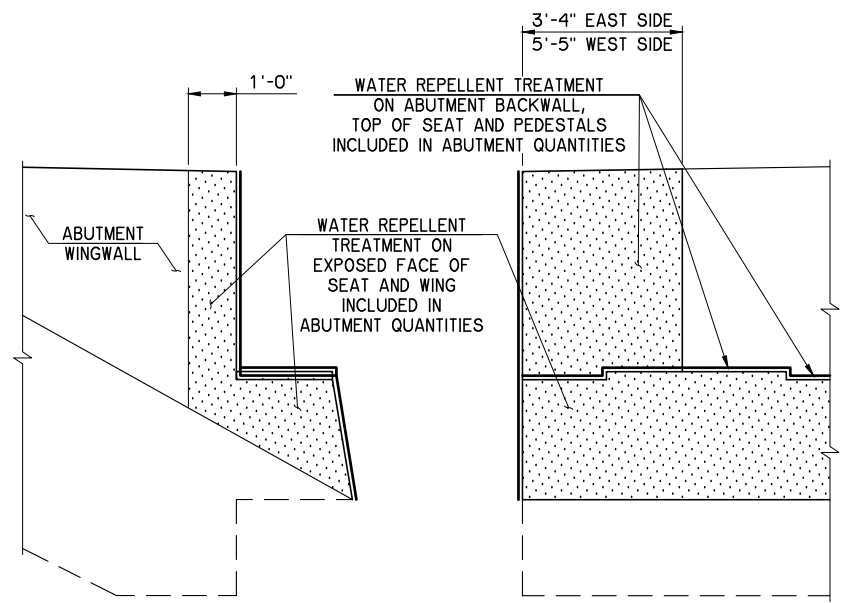


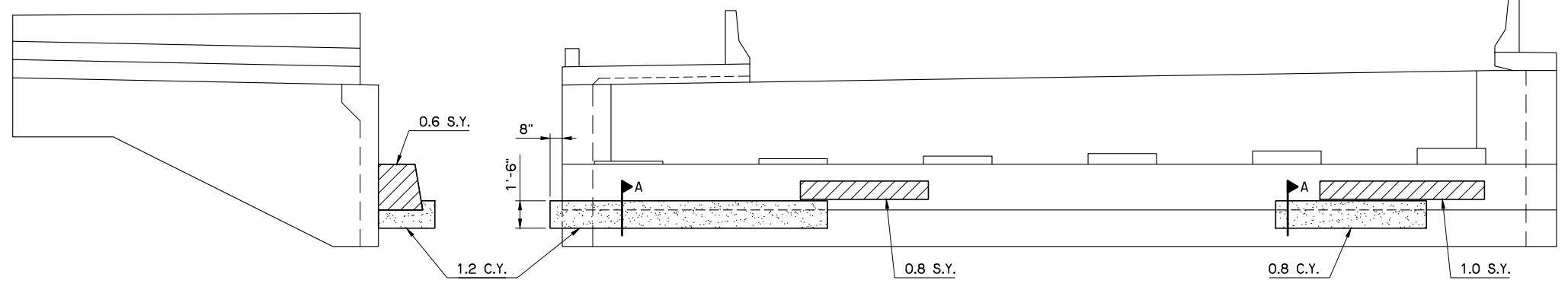
| REVISIONS | | |
|-----------|-------------|------|
| REV. NO. | DESCRIPTION | DATE |
| | | |



PLAN

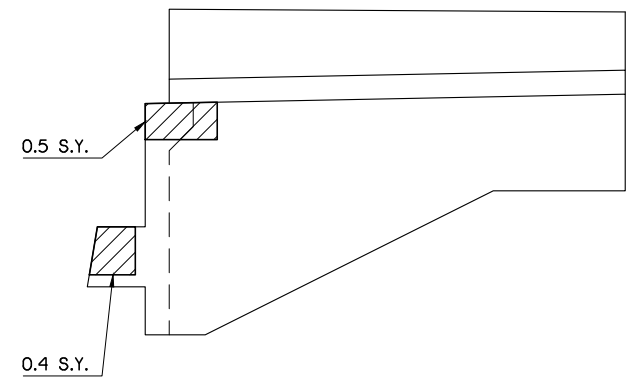


SIDE ELEVATION
WATER REPELLENT TREATMENT DETAILS

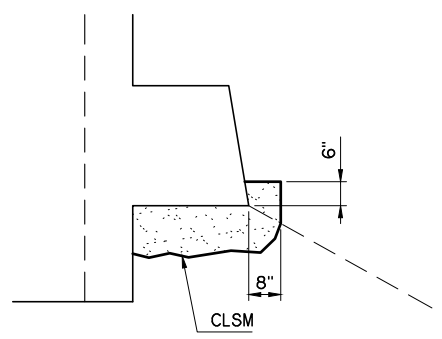


EAST WING

ELEVATION
ABUTMENT NO. 1



WEST WING



SECTION A
NOTE:
CLSM BACKFILL TO BE
USED FOR FILLING VOIDS
UNDER ABUTMENT SEATS.

LEGEND

- CLSM BACKFILL
- PREPARATION OF CRACKS (ABOVE WATER)
- REPAIR BRIDGE ITEMS

| | | | |
|--|--------------|--|-----|
| SH 51 NB OVER ARKANSAS RIVER | TULSA COUNTY | Design | ADT |
| ABUTMENT REPAIR DETAILS SHEET 1 OF 2 | | Detail | FEZ |
| | | Check | ADT |
| STATE OF OKLAHOMA | | DEPARTMENT OF TRANSPORTATION | |
| JOB PIECE NO. 31358(04) | | WHITE ENGINEERING ASSOCIATES SHEET NO. 11 | |

I:\Active\1626\Drawings\11 Abutment Repair 1 of 2.dwg, 6/12/2017 11:09:33 AM, Fred